

DecoFlex Dry Contact Keypad

Item #: 1811402 (White)

OVERVIEW:

The DecoFlex Dry Contact Keypad offers control of motors connected to the IGC 4n1 Motor Controller (#1811416). Each keypad can access 3 intermediate positions as well as fully open, fully closed, or stop when connected to either Master or Keypad ports on the IGC 4n1 Motor Controller. This keypad connects to IGC 4n1 Motor Controller using standard category cable (CAT-5 or higher) and RJ45 connections.



TECHNICAL SPECIFICATIONS:

- Input: 24V DC at .10mA supplied by IGC 4n1 Motor Controller
- Material: Face plates and buttons: Lexan 945u
- Dimensions: 1 7/16" x 1 1/2" x 4 1/16" (without wall plate)
- Maximum Range: 150'
- Operating Temperature Range: Ambient range
- Shipping Weight: <1 lb.

FEATURES SUMMARY:

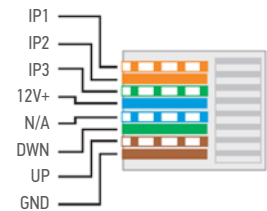
- 3 intermediate positions (defaults to 25%, 50%, 75%) which can be customized via motor controller
- Connects to motor controller using standard category cable (CAT-5 or higher)
- Convenient, stationary wall control
- Fits standard Decora style opening
- LED indicators show button presses and power
- Custom engraved buttons available

WHAT'S IN THE BOX:

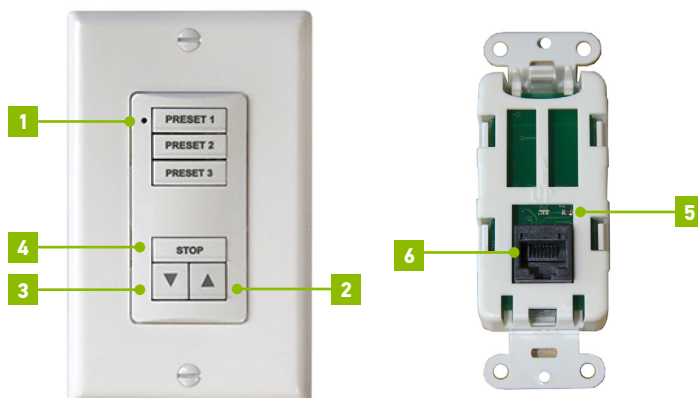
- Keypad
- Face plate with screws

CABLE PINOUTS:

Standard T568B wiring

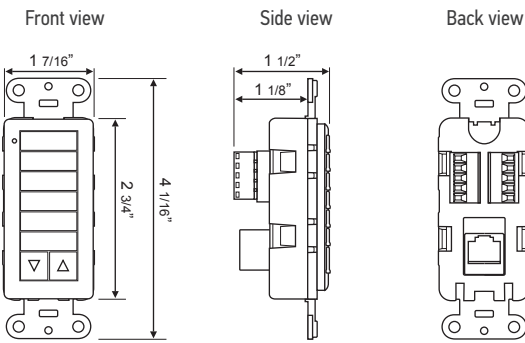


CONNECTIONS AND INDICATORS:



ELEMENT	FUNCTION
1 Status LED	Shows button presses
2 Up Button	Up directional button
3 Down Button	Down directional button
4 Stop Button	Stops movement
5 Power LED	Indicates power and traffic
6 RJ45 Jack	CAT-5 connection

DIMENSIONS:



BEST WIRING PRACTICES

Before installing keypads all motors must be wired to the controller, have limits set and be working properly. The DecoFlex Dry Contact Keypad has a single RJ45 connection which is utilized for both communication and power. A standard category cable (CAT-5 or higher) terminated to T568B standard must be used. The diagram shown below is meant for illustrative purposes to show the connections from product to product. This device can be used in other configurations than shown below.

